

STEM FITTING INSTRUCTIONS

Tools: 4mm allen key

Before you start: The stem is only designed for **1 1/8" (28.6mm)** steerer tubes. Ensure that the steerer is cut cleanly and level and any burrs (inside and out) are removed. The stem should sit, once installed on top of all headset and spacers, so that the steerer tube is approximately **5mm** below the top of the stem (this is to allow sufficient adjustment of the headset to take place)

Ensure the steerer tube and handlebar clamp areas are both clean and dry (no grease!)

It is also advisable to remove all bolts from the stem and apply a small amount of grease to the threads and under the head of the bolt.

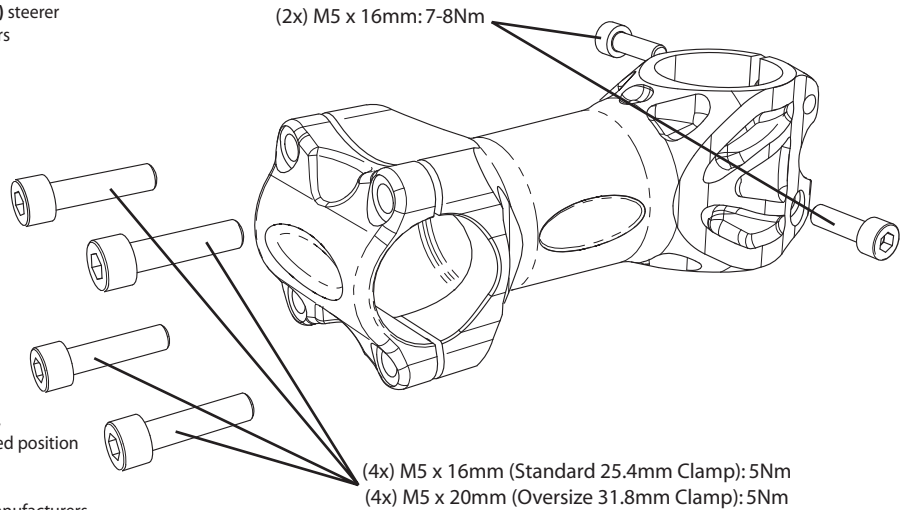
Installation: Slide the stem onto the steerer tube and push down until it touches the spacers.

Lightly tighten the 2x steerer tube bolts and then install the handlebar. Lightly tighten the 4x clamp bolts, alternating in a diagonal pattern to clamp the handlebar in desired position whilst retaining an even gap between front plate and stem.

Install top cap, hed doctor (or other adjustment device) as per manufacturers specifications. (at this stage it will be necessary to undo the steerer tube bolts to allow adjustment to take place)

When you are happy with the headset adjustment, (making sure the stem is in line with the front wheel!) tighten the steerer tube bolts to **7-8Nm**, alternating between the two bolts to ensure even clamping.

The same can now be done to the handlebar clamp bolts, tightening to **5Nm**.



NOTE: Using the HOPE VISION light front plate makes no difference to bolt lengths or torque settings.

www.hopetech.com



STEM FITTING INSTRUCTIONS

Tools: 4mm allen key

Before you start: The stem is only designed for **1 1/8" (28.6mm)** steerer tubes. Ensure that the steerer is cut cleanly and level and any burrs (inside and out) are removed. The stem should sit, once installed on top of all headset and spacers, so that the steerer tube is approximately **5mm** below the top of the stem (this is to allow sufficient adjustment of the headset to take place)

Ensure the steerer tube and handlebar clamp areas are both clean and dry (no grease!)

It is also advisable to remove all bolts from the stem and apply a small amount of grease to the threads and under the head of the bolt.

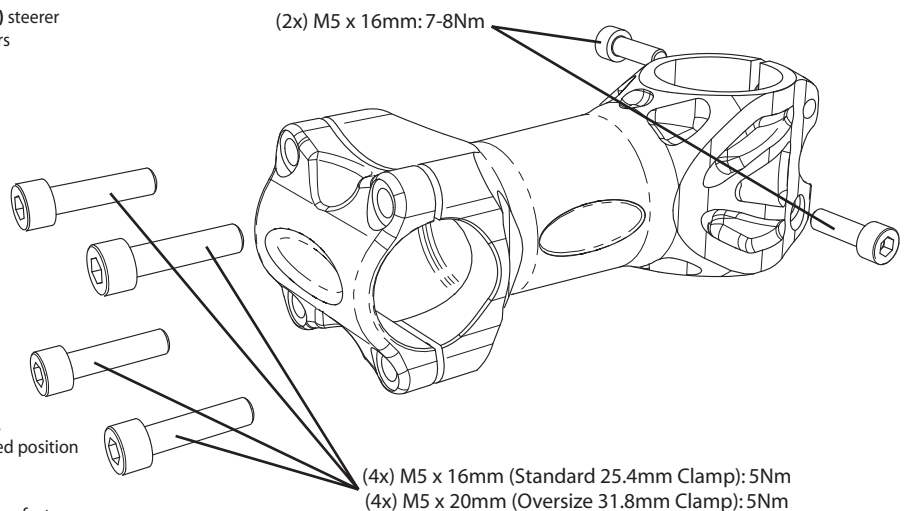
Installation: Slide the stem onto the steerer tube and push down until it touches the spacers.

Lightly tighten the 2x steerer tube bolts and then install the handlebar. Lightly tighten the 4x clamp bolts, alternating in a diagonal pattern to clamp the handlebar in desired position whilst retaining an even gap between front plate and stem.

Install top cap, hed doctor (or other adjustment device) as per manufacturers specifications. (at this stage it will be necessary to undo the steerer tube bolts to allow adjustment to take place)

When you are happy with the headset adjustment, (making sure the stem is in line with the front wheel!) tighten the steerer tube bolts to **7-8Nm**, alternating between the two bolts to ensure even clamping.

The same can now be done to the handlebar clamp bolts, tightening to **5Nm**.



NOTE: Using the HOPE VISION light front plate makes no difference to bolt lengths or torque settings.

www.hopetech.com

