

 **REMOVE** CURRENT SHIMS AND
REPLACE WITH SHIM FROM THIS KIT

STAINLESS T47 86/92 - 30mm
BBT478630SSN

STAINLESS PF46 386 EVO - 30mm
BBPF468630SSN

ASSEMBLE AS SHOWN!

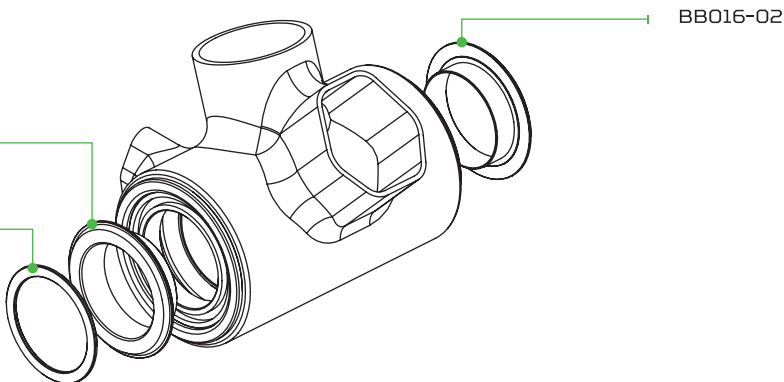
BOX CONTENTS

- 29mm BB Shim - BSA PF46 - 2.25mm x 2
BB016-06
- 29mm BB Spacer - 2mm x 1 **[MTB]**
BB016-05
- 29mm BB Spacer - 1mm x 1 **[ROAD]**
BB016-07

PF46 386 EVO - 30mm
ASSEMBLY

BB016-06

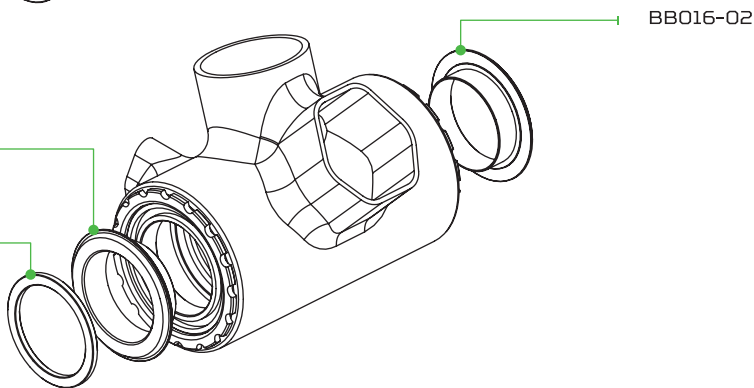
BB016-07 **[ROAD]**



T47 86/92 - 30mm
ASSEMBLY

BB016-06

BB016-05 **[MTB]**
BB016-07 **[Road]**



DRIVE SIDE

NON-DRIVE SIDE

INST033_EN: Instruction - 29mm BB Conversion Kit 4 - V1

hope

29mm BB CONVERSION_KIT 004