



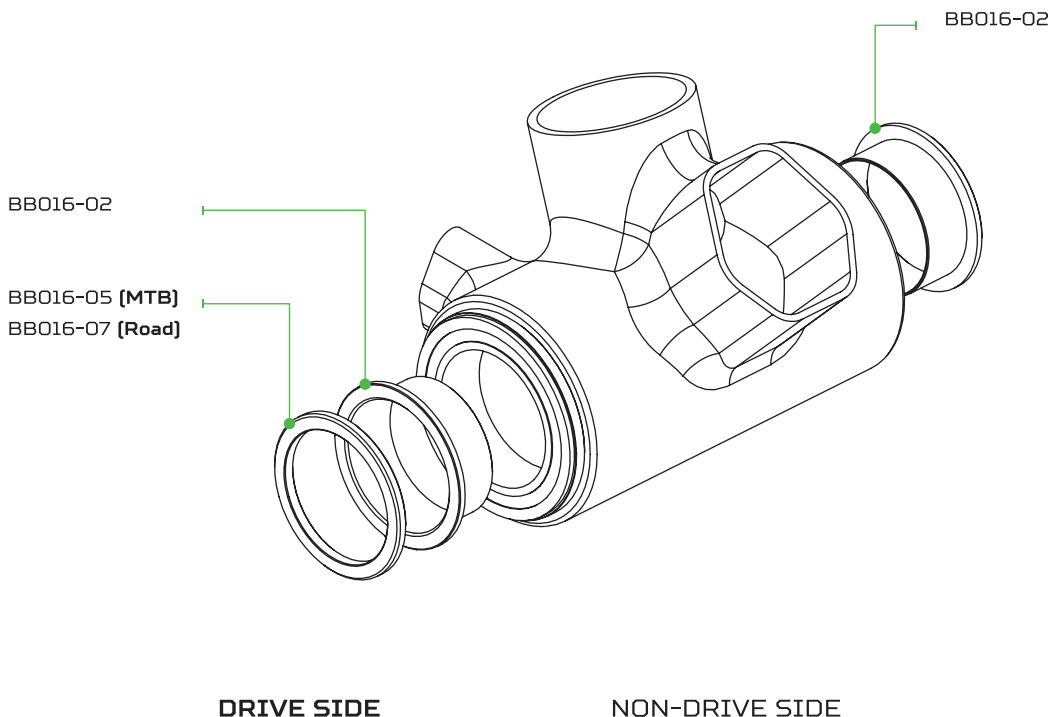
REMOVE CURRENT SHIMS AND
REPLACE WITH SHIMS FROM THIS KIT

TO FIT STAINLESS **PF41 - 30mm**
BBPF4130SS

ASSEMBLE AS SHOWN!

BOX CONTENTS:

- 29mm BB Shim - PF41 - 1.5mm x 2
BB016-02
- 29mm BB Spacer - 2mm x 1 [MTB]
BB016-05
- 29mm BB SPACER - 1mm x 1 [Road]
BB016-07



INST032_EN: Instruction - 29mm BB Conversion Kit 2 - V1

hope

29mm BB CONVERSION_KIT 002