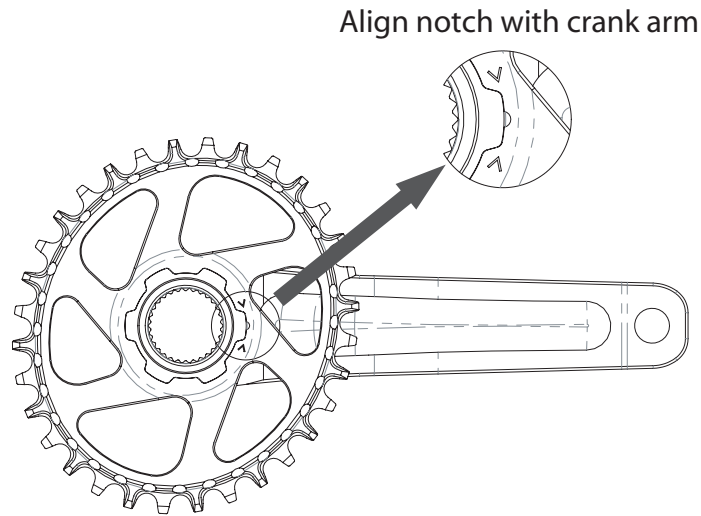


Align tab with crank arm

104 PCD type oval chainrings

To ensure oval chainrings work as intended, it is important to install them with a specific orientation. Align the tab/notch with the crank arm as shown in the drawings.



Align notch with crank arm

Spiderless type oval chainrings